

Make a Shark outfit!

You will need ...

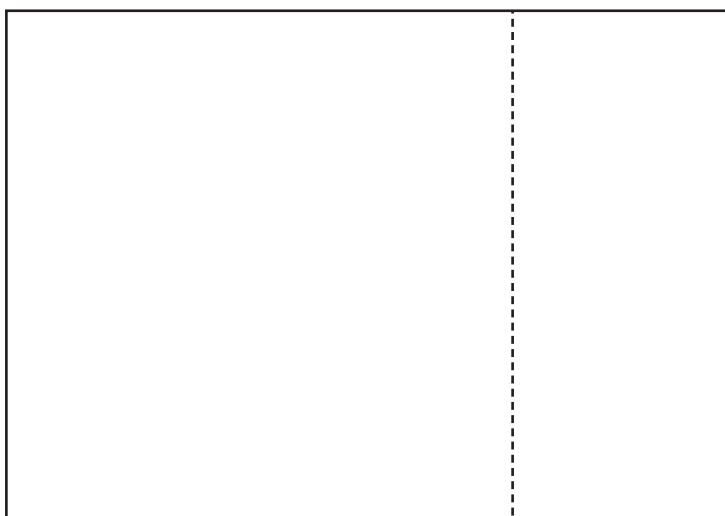
2 x A3 pieces of blue/grey sugar paper

Glue

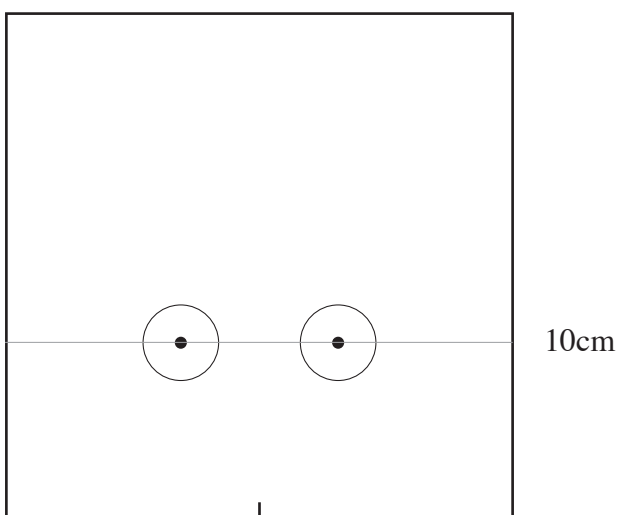
Sellotape

Paints

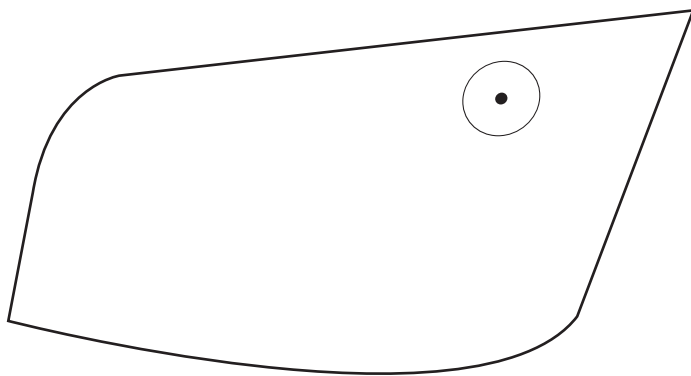
String



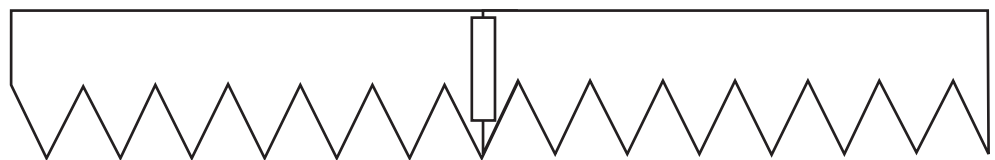
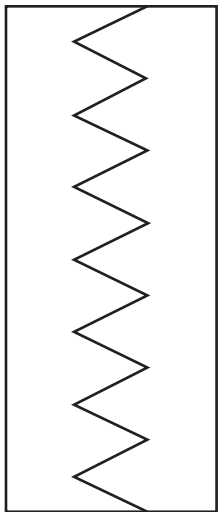
1) Cut a square from an A3 piece of paper and save the rectangle. This is going to be the head of your shark, so it should be blue or grey paper if possible.



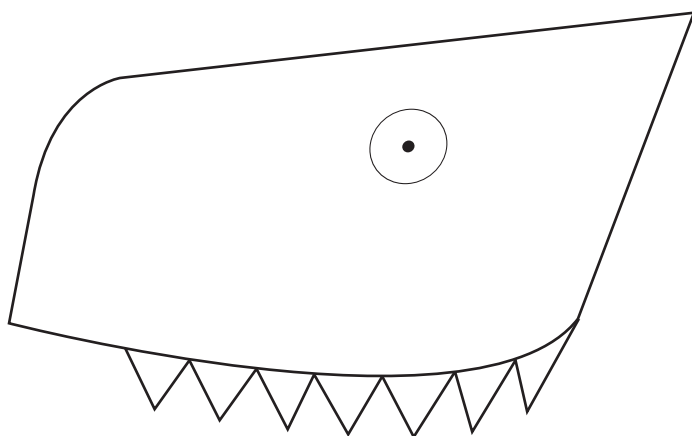
2) Find the mid-point on the bottom edge of the page and measure roughly 10cms up and draw two eyes.



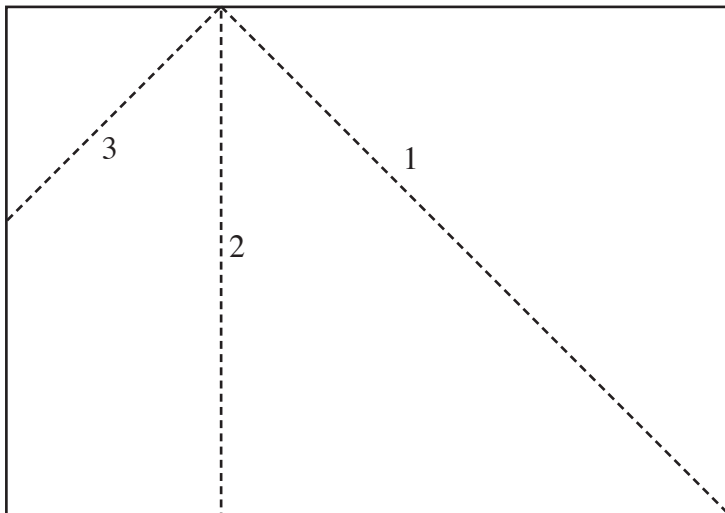
3) Roll the corners of the page towards each other around the mid-point to create a cone shape which will be the nose of your shark. You can use sellotape on the inside of the cone to hold it in place.



4) Cut out teeth shapes from the remaining piece of paper and join them together so that you have a long shape. Now you can paint the triangles white.

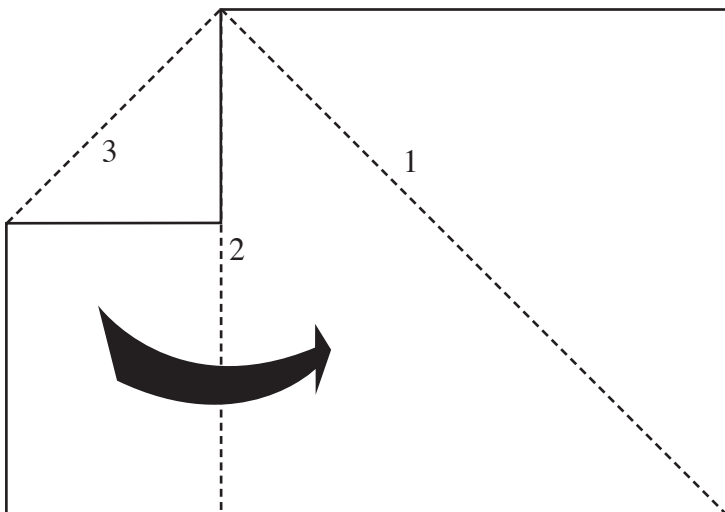


5) Glue the teeth to the inside of the head so you can see the white triangles, and then your head is finished.

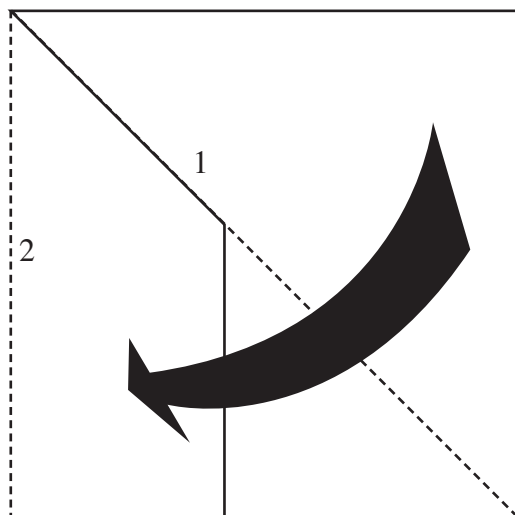


fold

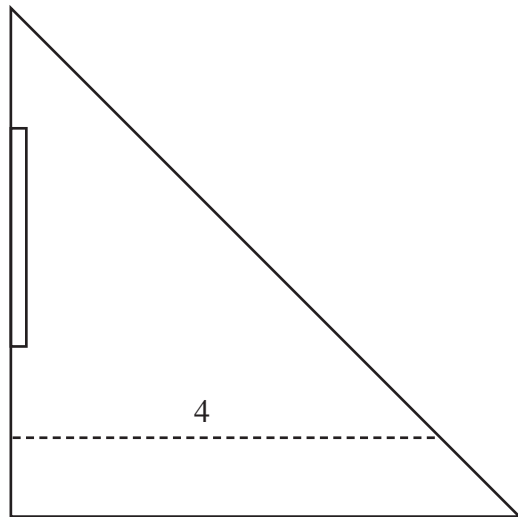
6) Starting with number 1 make these folds on an A3 piece of paper that's the same colour as your shark head. When you've made all of these folds, lay the page out flat again.



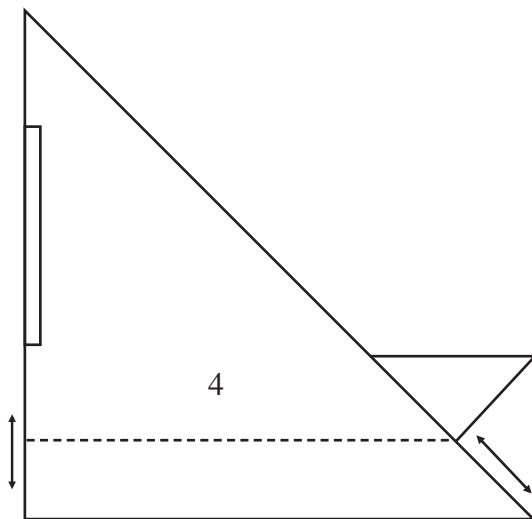
7) Now, fold over number 3 again, then fold over number 2 as shown. This will leave you with a square shape.



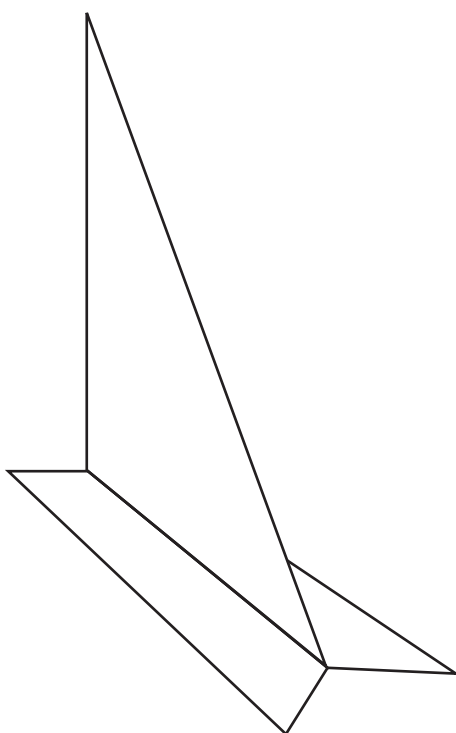
8) Once you have the square you can re-fold number 1 down to make the triangle shape of your dorsal fin.



9) To be able to attach the fin to your back properly you need to make a 'foot' at the bottom of it first. Make another fold (number 4 in the diagram) 6cm from the bottom of the triangle. You can add a small strip of sellotape at the back to hold it all together properly.

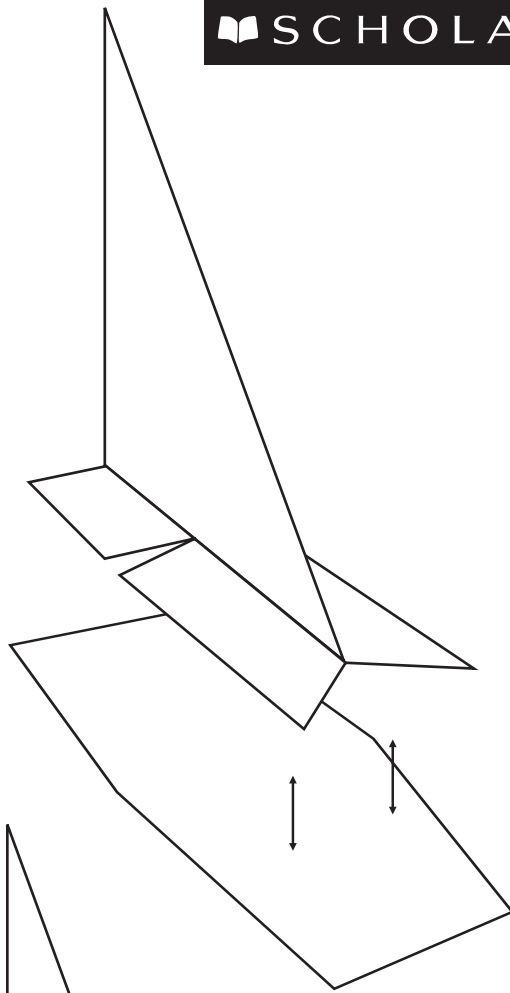


10) Now cut down from the fold to the bottom of the fin - indicated by the arrows. This forms the 'foot' which will help you attach it to your back.



11) Your shark's fin should look like this. You've got one more thing to do, and then you're finished.

12) Cut down the middle of both sides of the foot up to the fold. Then stick this to a piece of cardboard, this will make it very strong.



13) Make a hole either side of the fin and tie a piece of string to each one. Place the fin on your back and tie the string around your chest. Put the shark hat on your head, and you're ready to go!

